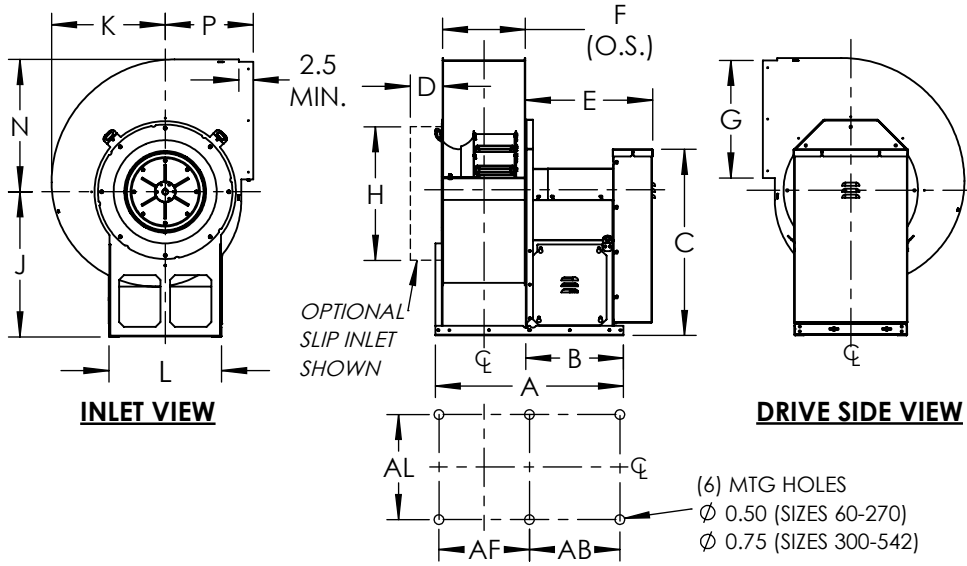




DATE: TAG:  
 JOB:  
 PROJECT:  
 COMPANY:  
 SALES PERSON:

UVS1 CLASS 0 ARRANGEMENT 10  
 UTILITY VENT SET

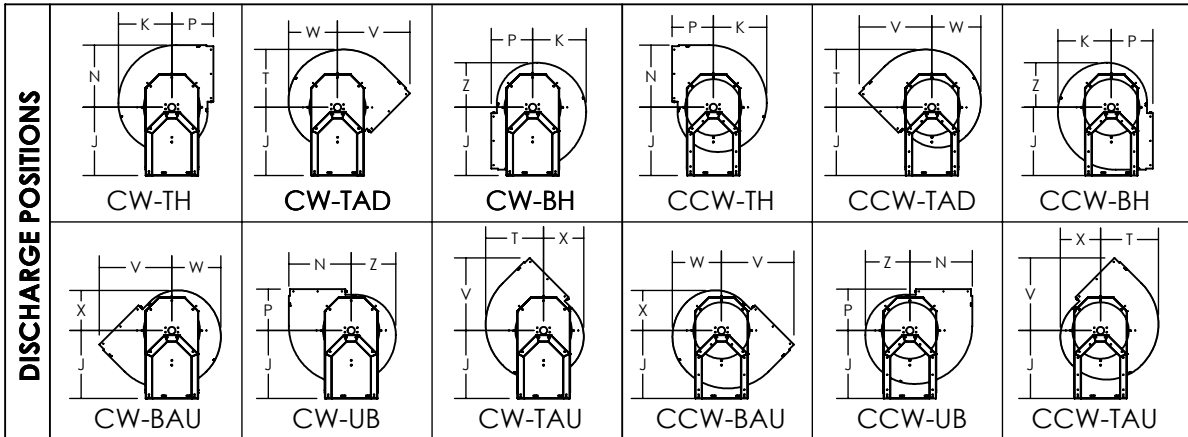


**STANDARD CONSTRUCTION:**

1. Welded Housing
2. Aluminum Wheel
3. Galvanized and Bolted Pedestal
4. Adjustable Motor Base Assembly
5. 100K L10 Life Bearings
6. 1045 TG&P Shaft
7. Slip Outlet
8. Open Inlet

**OPTIONAL ACCESSORIES:**

1. 200K L10 Life Bearings
2. Weather Cover (shown in illustration)
3. Slip and Flanged Inlet
4. Inlet/Outlet Companion Flange
5. Flanged Outlet
6. Vibration Isolators & Rails
7. Shaft Seal
8. Inlet Wire Guard & Outlet screen
9. Piezo Ring & Pressure Transducer
10. Disconnect Switch



DIMENSIONAL DATA	Size	DIMENSIONS (INCHES)																		WT. (lbs)	MAX RPM	MAX MTR.				
		A	B	C	D	E	F	G	H	J	K	L	N	P	Q	T	V	W	X				Z	AB	AF	AL
	60	24.00	15.38	25.06	3.19	19.25	7.06	10.00	14.13	18.13	9.94	15.69	11.56	11.75	5.00	10.75	16.13	9.19	7.75	8.38	13.88	8.63	13.69	115	2680	56
	70	24.00	15.38	25.06	3.19	19.25	7.06	10.00	14.13	18.13	9.94	15.69	11.56	11.75	5.00	10.75	16.13	9.19	7.75	8.38	13.88	8.63	13.69	114	2680	56
	80	24.00	15.38	25.06	3.19	19.25	7.06	10.00	14.13	18.13	9.94	15.69	11.56	11.75	5.00	10.75	16.13	9.19	7.75	8.38	13.88	8.63	13.69	113	2680	56
	100	24.00	15.38	25.06	3.19	19.25	7.06	10.00	14.13	18.13	9.94	15.69	11.56	11.75	5.00	10.75	16.13	9.19	7.75	8.38	13.88	8.63	13.69	112	2680	56
	122	25.56	15.38	25.06	3.19	19.19	8.63	12.25	16.39	18.13	12.06	15.69	14.06	13.19	5.00	13.06	18.88	11.13	9.13	10.13	13.88	10.19	15.69	130	2600	145T
	135	26.44	15.38	25.06	3.19	19.25	9.50	13.50	17.63	18.13	13.25	19.19	15.44	13.94	5.00	14.31	20.44	12.19	10.00	11.13	13.88	11.06	17.19	141	2332	145T
	150	29.50	17.38	26.69	3.19	22.25	10.56	15.00	19.13	19.75	14.69	19.19	17.06	14.38	4.50	15.88	21.88	13.50	11.06	12.25	15.88	12.13	17.19	168	2099	184T
	165	30.56	17.38	28.31	3.19	22.25	11.63	16.50	21.19	21.38	16.13	19.19	18.75	14.31	3.50	17.44	23.00	14.75	12.13	13.44	15.89	13.19	17.19	183	2000	184T
	182	31.81	17.38	30.19	3.19	22.25	12.88	18.25	22.89	23.25	17.75	19.19	20.69	14.44	2.50	19.25	24.44	16.31	13.38	14.81	15.89	14.44	17.19	196	1670	184T
	200	33.06	17.38	32.12	3.69	22.25	14.13	20.00	24.63	25.25	19.44	20.44	22.63	15.50	2.50	21.00	26.63	17.81	14.63	16.19	15.89	15.69	18.44	237	1434	184T
	222	37.63	20.38	36.25	3.69	26.50	15.69	22.25	27.44	27.75	21.56	22.69	25.13	16.94	2.50	23.31	29.38	19.75	16.19	18.00	18.89	17.25	20.69	294	1429	213T
	245	39.19	20.38	38.75	3.69	26.50	17.25	24.50	29.44	30.25	23.69	23.44	27.56	18.31	2.50	25.63	32.13	21.69	17.79	19.75	18.89	18.81	21.44	337	1388	213T
	270	44.00	23.38	41.50	3.69	29.50	19.06	27.00	31.94	33.00	26.00	24.94	30.38	19.88	2.50	28.19	35.19	23.88	19.55	21.69	21.89	20.63	22.94	402	1138	213T
	300	48.38	25.13	46.19	3.69	31.25	21.19	30.00	35.88	36.88	28.88	27.25	33.69	21.75	2.50	31.25	38.81	26.50	21.67	24.06	23.38	23.50	24.69	570	1024	256T
	330	52.81	27.50	51.06	3.69	36.13	23.25	33.00	38.88	40.13	31.69	30.25	37.00	23.63	2.50	34.31	42.50	29.06	23.78	26.44	25.75	25.75	27.69	688	903	286T
	365	55.31	27.50	54.94	3.69	36.13	25.75	36.50	42.50	44.00	35.00	32.25	40.88	25.81	2.50	37.94	46.81	32.06	26.25	29.19	25.75	28.06	29.69	784	786	286T
	402	57.94	27.50	59.06	4.19	36.13	28.38	40.25	46.25	48.13	38.56	36.25	45.00	28.19	2.50	41.75	51.38	35.31	28.90	32.13	25.75	30.75	33.69	918	683	286T

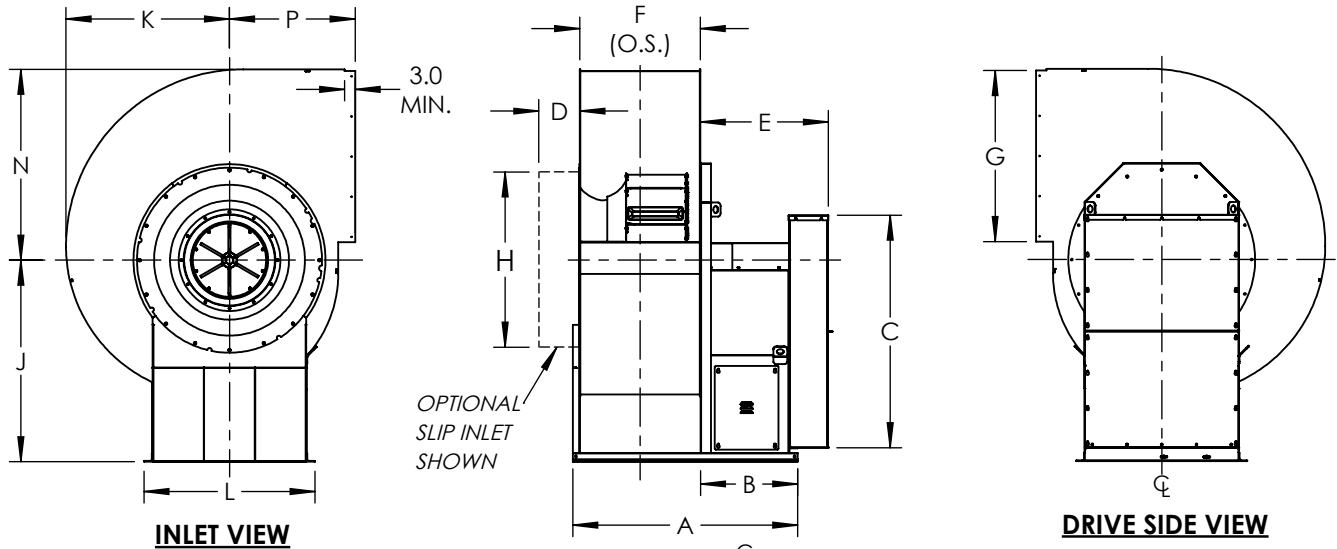
ALL DIMENSIONS ARE IN INCHES, WEIGHTS ARE APPROXIMATE AND DOES NOT INCLUDE DRIVES AND ACCESSORIES.

REVISION:

FORM:

REPLACES:

UVS1 CLASS 0 ARRANGEMENT 10  
 UTILITY VENT SET 445-542

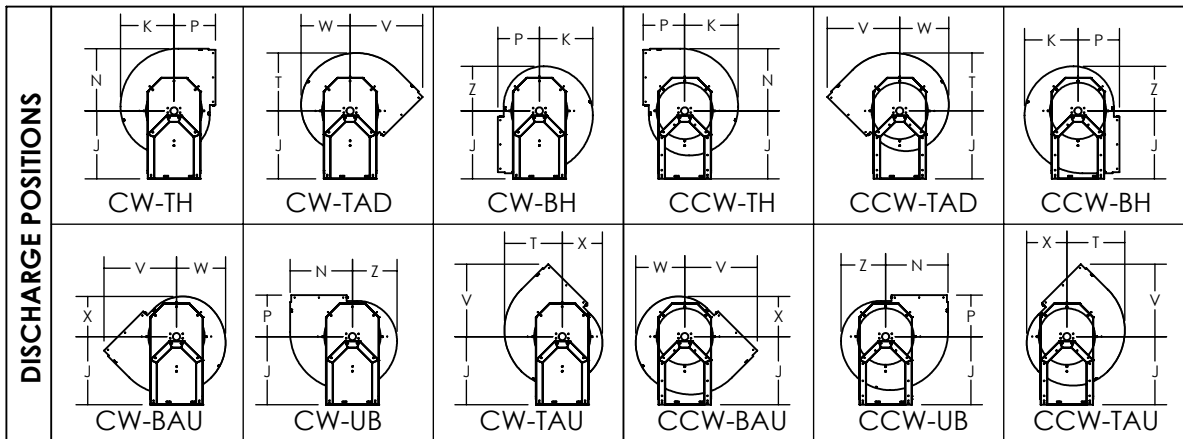


**STANDARD CONSTRUCTION:**

1. Welded Housing
2. Aluminum Wheel
3. Welded Pedestal
4. Adjustable Motor Base Assembly
5. 100K L10 Life Bearings
6. 1045 TG&P Shaft
7. Slip Outlet
8. Open Inlet

**OPTIONAL ACCESSORIES :**

1. 200K L10 Life Bearings
2. Weather Cover (shown in illustration)
3. Slip and Flanged Inlet
4. Inlet/Outlet Companion Flange
5. Flanged Outlet
6. Vibration Isolators & Rails
7. Shaft Seal
8. Inlet Wire Guard & Outlet screen
9. Piezo Ring & Pressure Transducer
10. Disconnect Switch



**DIMENSIONAL DATA**

Size	A	B	C	D	E	F	G	H	J	K	L	N	P	Q	T	V	W	X	Z	AB	AF	AL	WT. (lbs)	MAX. RPM	MAX. MTR.
445	61.31	27.94	64.06	4.19	36.13	31.38	44.50	50.50	52.75	42.56	45.00	49.69	32.75	3.00	46.06	57.94	38.75	31.63	34.38	25.00	33.31	42.50	1229	600	286T
490	64.44	27.94	69.06	4.19	36.13	34.50	49.00	55.00	57.75	46.81	49.00	54.69	36.00	3.00	50.75	63.75	42.88	35.00	39.00	25.00	36.44	46.50	1565	517	286T
542	68.19	27.94	74.81	4.19	36.13	38.25	54.25	60.25	63.50	51.81	54.00	60.50	40.00	3.00	56.13	71.00	47.44	38.75	43.13	25.00	40.19	51.50	1818	418	286T

ALL DIMENSIONS ARE IN INCHES, WEIGHTS ARE APPROXIMATE AND DOES NOT INCLUDE DRIVES AND ACCESSORIES.

REVISION:

FORM:

REPLACES: